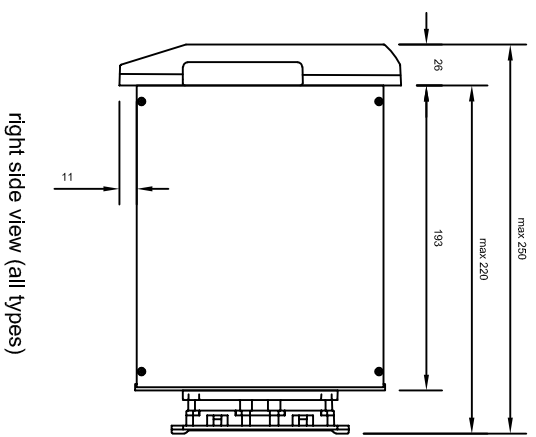
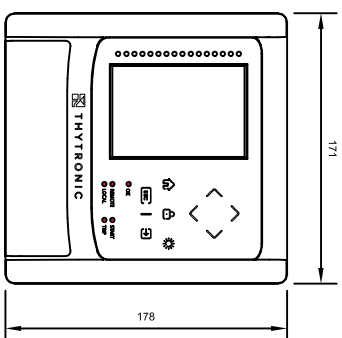


XMR-A, XMR-V, XMR-P

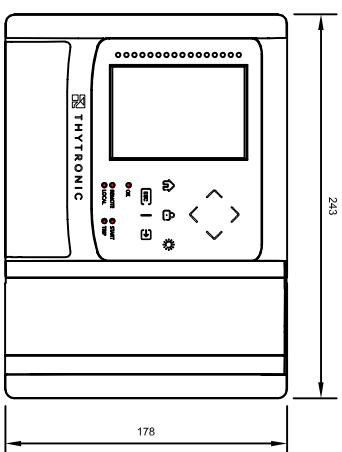


front view



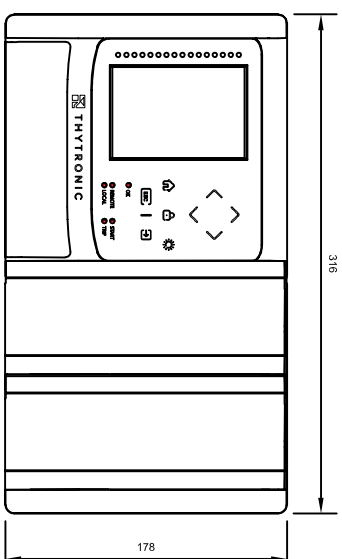
XMR with 1 EXTERNAL MODULE,
including base types D and T without
EXTERNAL MODULES

front view



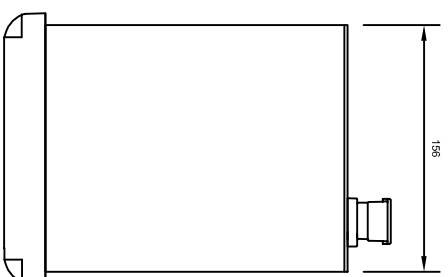
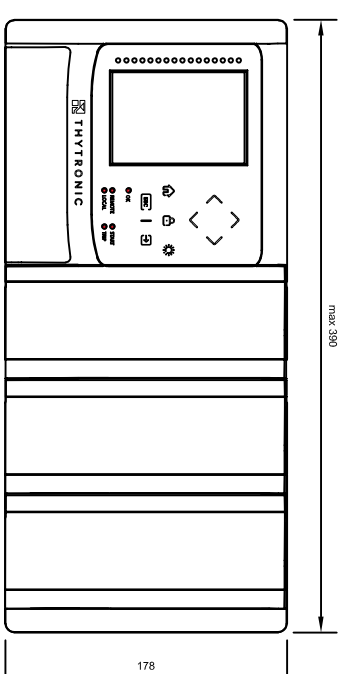
XMR with 2 EXTERNAL MODULES,
including base types D and T with 1
EXTERNAL MODULE

front view

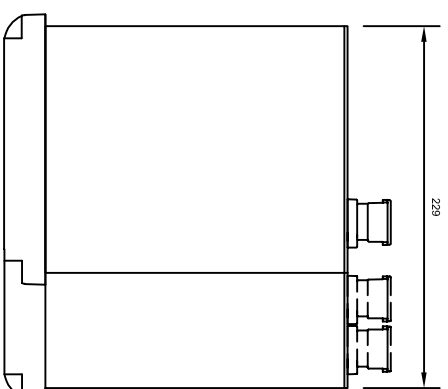


XMR with 3 EXTERNAL MODULES,
including base types D and T with 2
EXTERNAL MODULES

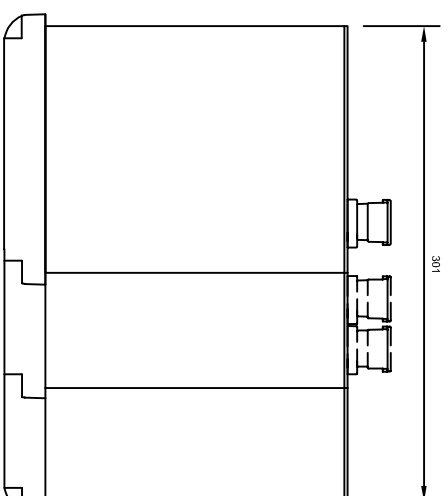
front view



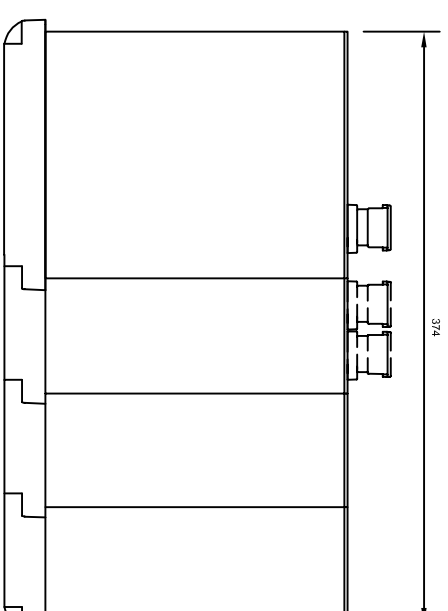
top view



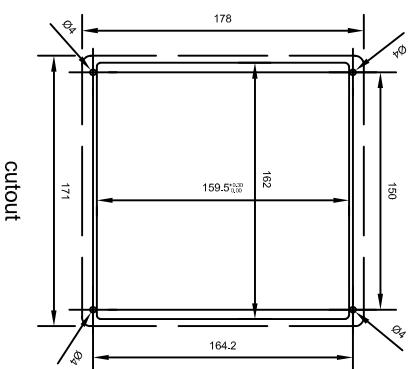
top view



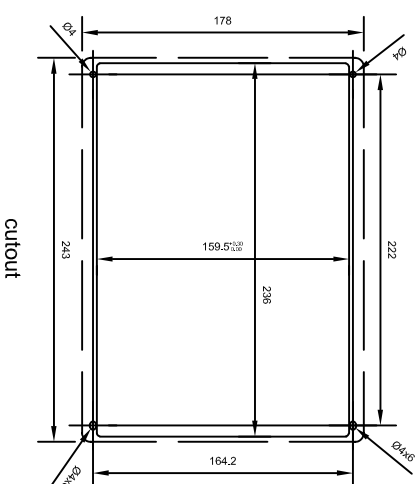
top view



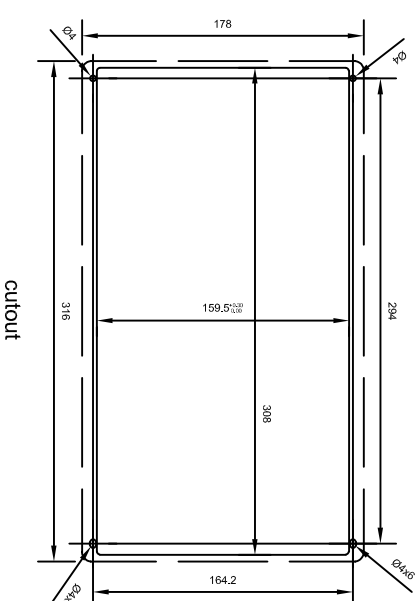
top view



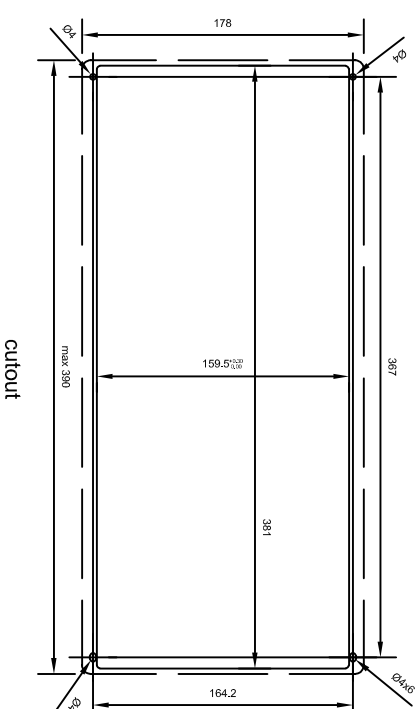
cutout



cutout



cutout



cutout

N	Data	Firma	Modifica
No	Date	Signature	Revision
<p>Progetto Project</p> <p>Oggetto Object</p> <p>Classificazione Classification</p> <p>Disegno Drawing</p> <p>Foglio Sheet</p> <p>Archivio File</p>			
<p>Progetto Project</p> <p>Classificazione Classification</p>		<p>XMR SERIES</p> <p>DIMENSIONS AND PANEL CUTOUT</p>	
<p>SERVIZIO TECNICO</p>		<p>sequa cont.</p> <p>=</p> <p>XMR dimensions and cutout:DWG</p>	

